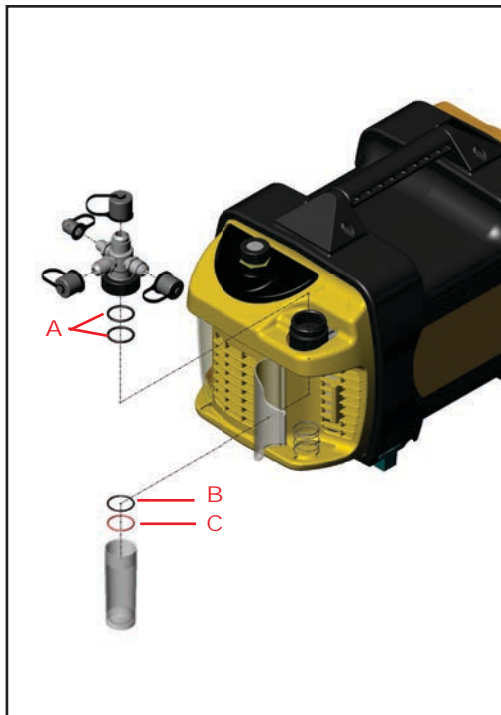
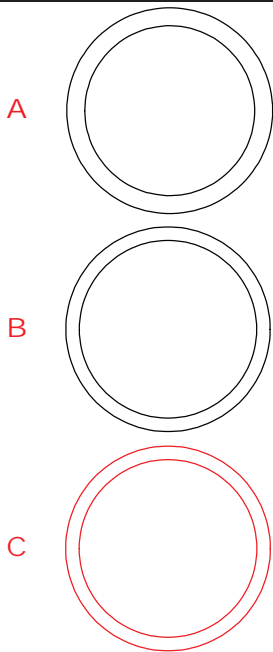


# KTT840-R

## Tez8 Exterior Maintenance Kit

### O-Ring & Seal Sizing Guide



**Step 1:** Carefully remove old o-rings. DO NOT use sharp tools, this can damage the o-ring grooves.

**Step 2:** Install Lower (red) o-ring, working from back to front until o-ring is fully seated in groove.

**Step 3:** Install Upper (black) o-ring, working from back to front until o-ring is fully seated in groove.

**Step 4:** Verify that both o-rings are fully seated in their grooves. Apply vacuum grease and reinstall Filter Screen and Debris Catch Tube.



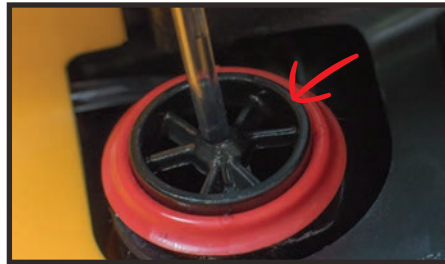
**Step 1:** Turn the TEZ8 upside down, grab the TEZOM seal and guide with a pair of needle nose pliers. Pull the guide out of its slot. Repeat until all 3 guides have been removed.



**Step 2:** Install the new TEZOM secondary seal(E) Push until flush and level with the exhaust chamber.



**Step 3:** Install the new TEZOM seal(D) making sure each guide engages with a (triangle-shaped) slot.



**Step 4:** Using needle nose pliers to grab only the guide(making sure not to damage the sealing surface) and press until the guides locking tabs fully engage with the slot. Repeat until all 3 guide have been installed.



**Step 5:** When installed correctly, the TEZOM seal and secondary seal sit flush against each other and level against the exhaust chamber.

For a video tutorial and more helpful videos visit:  
[www.YouTube.com/AppionTools](http://www.YouTube.com/AppionTools)